

BAXI



SPARE PARTS CATALOGUE

- January 2008 -

HOW TO READ THE SPARE PARTS CATALOGUE

In the spare part catalogue, after the exploded diagrams, there are the components lists of the boilers; this is the meaning of the different columns:

- Pos. Identification number of the component in the exploded diagram of the boiler.
- Description Short description of the component.
- Code BAXI S.p.A. code of the component.
- Tab. XX XX is the exploded diagram number of the boiler taken into consideration.
- From serial number Date (year and week) identifying the beginning of production of a component (taken from the serial number of the boiler).
e.g. B005: year 2000 (B identifies the decade 2000-2009; 0 identifies the year) – 5th week.
If the box is empty, the component is in use from the beginning of production of the boiler.
- To serial number Date (year and week) identifying the end of production of a component (taken from the serial number of the boiler).
e.g. B012: year 2000 (B identifies the decade 2000-2009; 0 identifies the year) – 12th week.
If the box is empty, the component is still in use.
- Interchangeable It identifies the interchangeability between the new component and the old one.
YES: components are interchangeable.
NO: components are not interchangeable.

BOILERS CONNECTION BOARD - EXPLODED VIEW

TABELLA COLLEGAMENTO CODICE CALDAIA - ESPLOSO

TABLERO UNIÓN CALDERA - EXPLOSIONADO

TABLEAU CONNECTION CODEX CHAUDIERE - VUE ECLATEE

BOILER CODE	BOILER DESCRIPTION	EXPLODED REF.
CODICE CALDAIA	DESCRIZIONE CALDAIA	RIF. ESPLOSO
CODIGO CALDERA	DESCRIPCION CALDERA	REF. EXPLOSIONADO
CODE CHAUDIÈRE	DESCRIPTION CHAUDIÈRE	RÉF. EXPLOSÉE
CUD455311580	LUNA3 COMFORT 1.310 Fi GPL	Tab 273
CUD455313580	LUNA3 COMFORT 1.310 Fi	Tab 273
CUD456311580	LUNA3 COMFORT 310 Fi GPL	Tab 274
CUD456313580	LUNA3 COMFORT 310 Fi	Tab 274

LUNA 3

Pos	Code	Description code					To serial number	From serial number	Intercha ngeable:
			LUNA3 CONF: 310H LPG	CUDA55313580 LUNA3 CONF: 1.310H	CUDA55313580 LUNA3 CONF: 310H LPG	CUDA56311580 LUNA3 CONF: 310H			
1	5683090	SUPPORT FRAME ECO3	•	•	•	•			
2	5681390	LEFT PANEL LUNA 3	•	•	•	•			
3	5681380	RIGHT PANEL LUNA 3	•	•	•	•			
4	5115970	FRONTAL PANEL LUNA3	•	•	•	•			
5	5110290	BRACKET-UPPER SUPPORT	•	•	•	•			
6	5109640	BRACKET-LOWER SUPPORT	•	•	•	•			
8	5408080	PRESSURE SWITCH PIPE L=270	•	•	•	•			
9	5108700	RESTRICTOR-AIR INTAKE	•	•	•	•			
10	5207060	FLUE ADAPTOR	•	•	•	•			
11	5407890	GASKET ADAPTOR	•	•	•	•			
12	5108690	PLATE BLANKING	•	•	•	•			
13	5407400	SUCTION CAP GASKET	•	•	•	•			
15	600530	JOINT ASSEMBLY	•	•	•	•			
17	5213750	CONVEYOR BEND LUNA3	•	•	•	•			
18	5407050	PRESSURE SENSING VENTURI	•	•	•	•			
21	5402080	WASHER - SEALING	•	•	•	•			
22	5660110	FAN 1 SPEED	•	•	•	•			
23	617240	PRESSURE SWITCH ASSEMBLY	•	•	•	•			
24	5407930	PIPE - VALVE COMPENSATION	•	•	•	•			
25	5689400	FLUE CONVE. ASS.LUNA3 CANADA	•	•	•	•			
27	5680950	COMBUSTION CHAMBER ASS. 31KW	•	•	•	•			
28	5213190	INSULATING PANEL	•	•	•	•			
29	5213290	INSULATION - REAR PANEL	•	•	•	•			
30	5213340	INSULATING PANEL	•	•	•	•			
31	5111850	PANEL-COMB CHAMBER-105	•	•	•	•			
32	5689340	HEAT.EXCHANGER ASS. 31KW CANAD	•	•	•	•			
33	5403130	O-RING 22 x 3	•	•	•	•			
34	5112510	CLIP - HEAT EXCHANGER - FIXING	•	•	•	•			
35	5608840	EXPANSION VESSEL	•	•	•	•			
36	5653290	PIPE - EXPANSION VESSEL	•	•	•	•			
37	5655750	PANEL-COMBUSTION BOX	•	•	•	•			
38	5401610	VIEWING WINDOW GASKET	•	•	•	•			
39	5203930	VIEWING WINDOW	•	•	•	•			
40	5115590	SURROUND-SIGHT GLASS	•	•	•	•			
41	5653300	BURNER ASSEMBLY (15 ELEMENTS)	•	•	•	•			
42	5604090	BURNER ELEMENT	•	•	•	•			
43	5680970	GAS RAMP WITH INJECT. (D.1,28)		•		•			
43	5689490	GAS RAMP ASS. 15 HOLES D.0,90	•		•				
44	608430	TRANSFORM. KIT N.G. (15x1,28)	•		•				
44	613080	LPG INJECTORS KIT (D.0,90)		•		•			
45	5407940	GASKET-BURNER MANIFOLD	•	•	•	•			

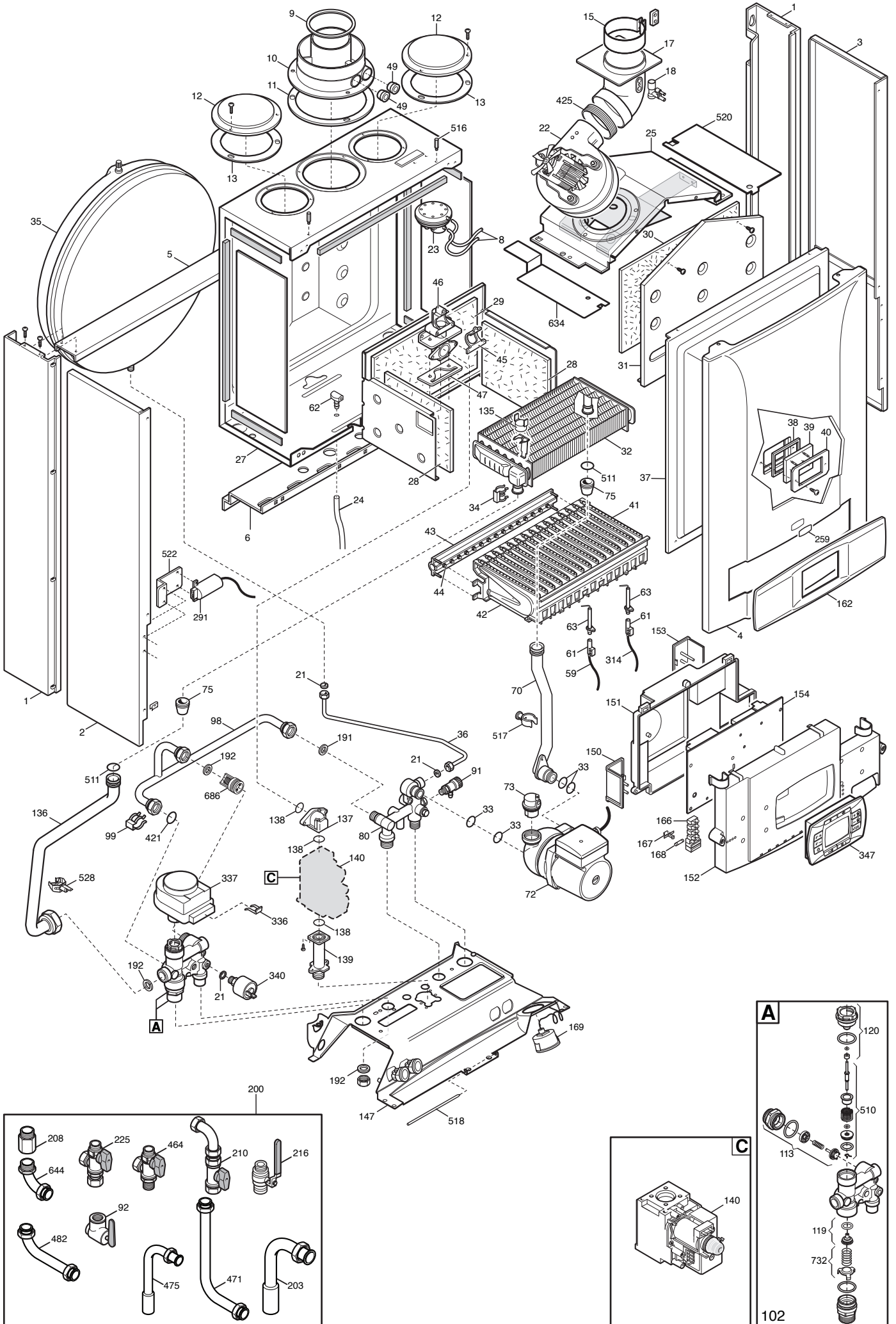
LUNA 3

Pos	Code	Description code					To serial number	From serial number	Interchangeable:
			LUNA3 COMF: 310H LPG	CUD455311580 LUNA3 COMF: 1.310H	CUD455313580 LUNA3 COMF: 310H	CUD456311580 LUNA3 COMF: 310H LPG			
46	5657180	ADAPTOR-MANIFOLD	•	•	•	•			
47	5407810	GASKET-MANIFOLD ADAPTOR	•	•	•	•			
49	5207070	FLUE SAMPLE PLUG	•	•	•	•			
59	8419050	LEAD - IGNITION ELECTRODE	•	•	•	•			
61	5407830	INSULATION BOOT - ELECTRODE	•	•	•	•			
62	5409570	SEALED CHAMBER HOSE ADAPTER	•	•	•	•			
63	8422570	ELECTRODE - IGNITION	•	•	•	•			
70	5688850	ASSEMBLY PIPE PUMP/EXCHANGER	•	•	•	•			
72	5689390	PUMP WITH CON. UP15-60 A0 120V	•	•	•	•			
73	607290	AUTOMATIC AIR VENT	•	•	•	•			
75	5404670	GROMMET - PIPE ASSEMBLY	•	•	•	•			
76	5686680	DHW PLATE EXCHANGER 14 PLATE			•	•			
77	5404520	DHW PLATE EXCHANGER GASKET			•	•			
80	5659060	HYDRAULIC INLET GROUP	•	•					
80	5687130	ES-RR ASS. C/RID12L 15.0634			•	•			
81	620340	FILTER-TRASDUC GROUP -100078-			•	•			
87	5210710	PUMP CONNECTING ELEMENT			•	•			
90	611930	FILLING GROUP			•	•			
91	5652030	DRAINING TAP	•	•	•	•			
92	5669850	SECURITY VALVE ASS.30 PSI	•	•	•	•			
98	5213880	BY-PASS PIPE CUBE			•	•			
98	5672770	BY-PASS PIPE ASSEMBLY	•	•					
99	8380850	FIXING CLIP	•	•	•	•			
102	5683540	3 WAY VALVE/MB GROUP LUNA3	•	•					
102	5687140	MR-US ASSEM LUNA3 15.0633			•	•			
113	617100	BY-PASS GR.	•	•	•	•			
119	605760	HYDRAULIC VENTURI ASSEMBLY	•	•	•	•			
120	600750	SPACER ASSEMBLY	•	•	•	•			
122	5405370	O-RING			•	•			
131	8434820	TEMPERATURE SENSOR			•	•			
132	5402830	WASHER - SENSOR SEALING			•	•			
135	9951610	LIMIT THERMOSTAT 105°C	•	•	•	•			
136	5685320	EXCHANGER PIPE ASS. M.R. AVANT	•	•	•	•			
137	5210700	ELBOW - GAS FLOW OUTLET	•	•	•	•			
138	5402010	O RING 22.22x2.62	•	•	•	•			
139	5210630	CONNECTOR - GAS VALVE INLET	•	•	•	•			
140	5689330	GAS VALVE SIT 845 SIGMA 120V	•	•	•	•			
147	5680910	SUPPORT FRAME LUNA3			•	•			
147	5683010	CONNECTION TRAVERSE LUNA3	•	•					
150	5413370	COVER TERMINAL BLOCK	•	•	•	•			
151	5413360	COVER CONTROL BOX LUNA3	•	•	•	•			
152	5413350	CONTROL PAN.LUNA3 COMFORT CANA	•	•	•	•			

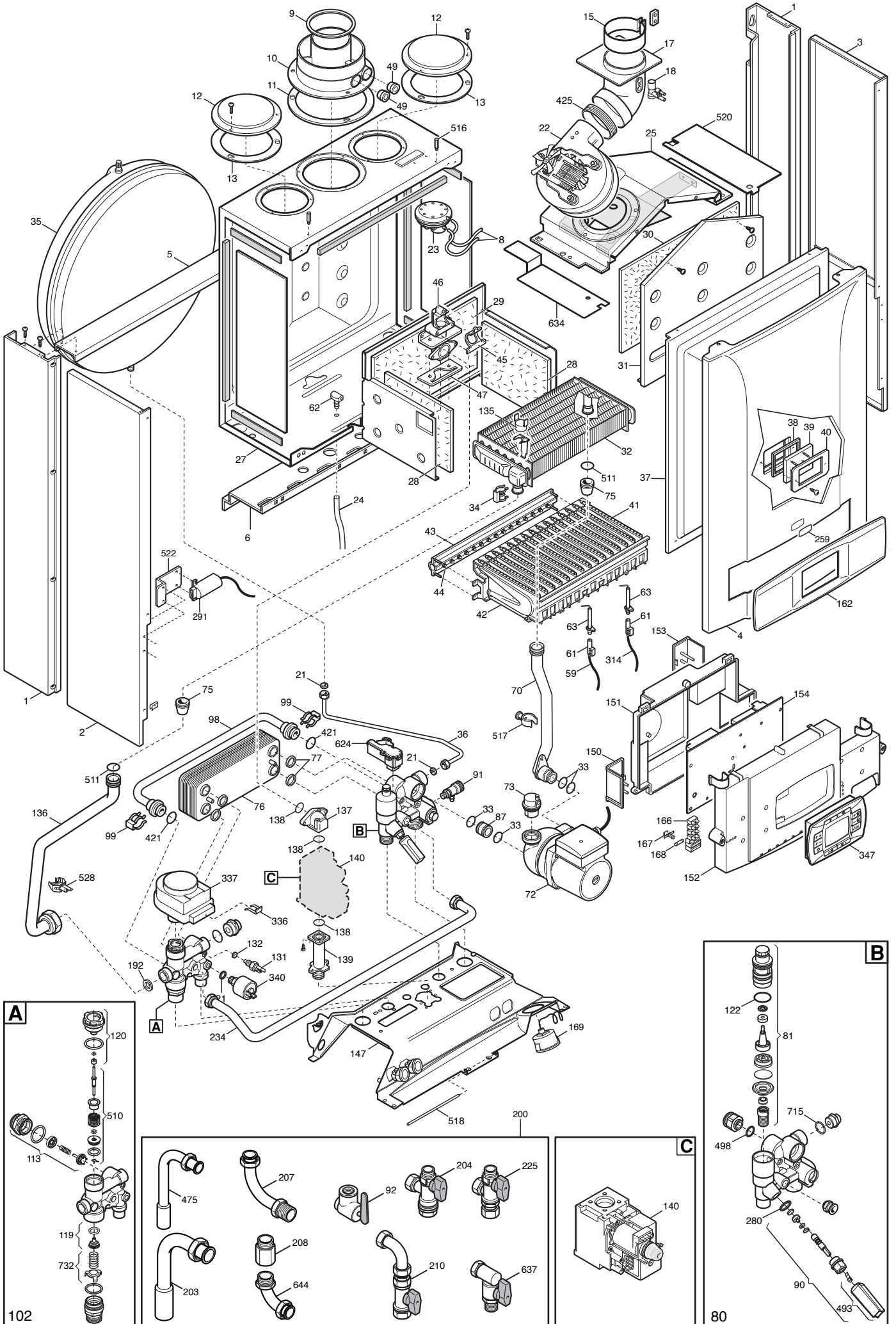
LUNA 3

Pos	Code	Description code					To serial number	From serial number	Intercha ngeable:
			LUNA3 COMF: 310Fi LPG	CUD455311580 LUNA3 COMF: 1.310Fi	CUD455313580 LUNA3 COMF: 1.310Fi	CUD456311580 LUNA3 COMF: 310Fi LPG			
153	5408580	TERMINAL BOARD COVER	•	•	•	•			
154	5689370	PCB B&P DIMS 28 -120V-	•	•	•	•			
162	5682660	COVER ASSEMBLY	•	•	•	•			
166	8423320	TERMINAL BOARD	•	•	•	•			
167	5405340	FUSE HOLDER	•	•	•	•			
168	8422730	FUSE 3,15A 250V	•	•	•	•			
169	9951650	MANOMETER D.40	•	•	•	•			
191	5408970	WASHER - SEALING G1/2	•	•					
192	5404650	SEALING WASHER G 3/4	•	•	•	•			
200	5669870	HYDRAULIC CONN. 1.310Fi CANADA	•	•					
200	5669930	CONNECTION ASS 310Fi CANADA			•	•			
203	5660140	PIPE ASSEMBLY D.18	•	•	•	•			
204	9951280	DOMES. WATER INLETPE ASS.G1/2			•	•			
207	5656440	ELBOW-DHW OUTLET			•	•			
208	5213660	HEATING RET.CONNNECT. EXTENSION			•	•			
210	5660130	GAS TAP GR. CANADA	•	•	•	•			
216	5626790	FILLING TAP	•	•					
225	5669880	HEATING RETURN PIPE WITH FIL.	•	•	•	•			
234	5689310	FILLING PIPE ASS.LUNA3 CANADA			•	•			
259	5681120	BRAND BAXI LUNA3	•	•	•	•			
280	5207730	GASKET 14,2X18X1,5			•	•			
291	5659850	IGNITER WITH CABLE	•	•	•	•			
314	8418870	LEAD - SENSING ELECTRODE	•	•	•	•			
336	8380680	CLIP-RETAINING	•	•	•	•			
337	5676540	3 WAY VALVE MOTOR	•	•	•	•			
340	9951690	PRESSURE SWITCH	•	•	•	•			
347	5682690	REMOTE CONTROL ASSEMBLY	•	•	•	•			
421	5408270	O-RING 11,91 X 2,62 NBR	•	•	•	•			
425	5412270	GASKET FAN HT	•	•	•	•			
464	5644810	TAP G 3/4 WITH RETAINING VALVE	•	•					
471	5669840	FILLING PIPE ASSEMBLY	•	•					
475	5660150	PIPE ASS. D.14	•	•	•	•			
482	5637610	FILLING PIPE	•	•					
493	605660	FILLING KNOB ASSEMBLY			•	•			
498	400030	O-RING			•	•			
510	600760	DHW PADDLE ASSEMBLY	•	•	•	•			
511	5404600	O.R. 17,86x2,62	•	•	•	•			
516	5210670	STUD-FRONT PANEL	•	•	•	•			
517	5407840	CLIP-PLASTIC	•	•	•	•			
518	5112040	PIN - HINGED FACIA PANEL	•	•	•	•			
520	5112050	AIR DEFLECTOR	•	•	•	•			
522	5655180	BRACKET - IGNITER	•	•	•	•			

Tab 273



Tab 274



BAXI

**BAXI S.p.A.
Via Trozzetti, 20
36061 BASSANO DEL GRAPPA (VI)
ITALY
Tel. +390424517111
Telefax +390424517379
E-mail. service@baxi.it**